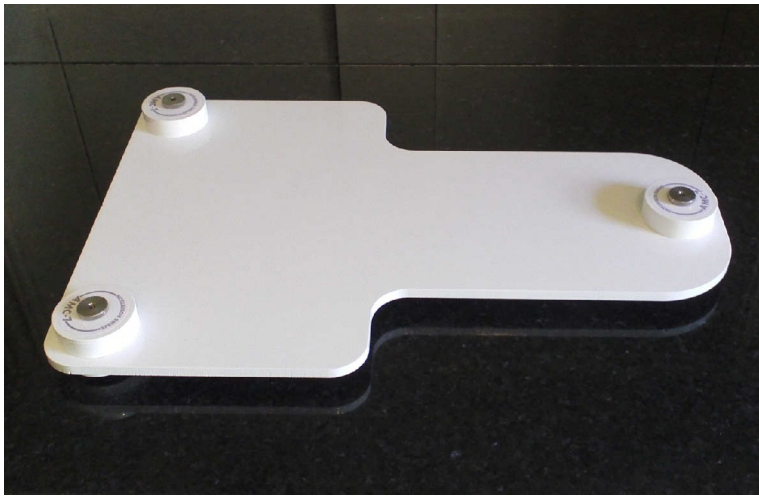


# Microscope Platform - AMC-7

High Performance anti vibration platform for Microscopes



Type	Performance	Surface	Isolation	Application
AMC-7	Scientific	White epoxy powder	2Hz/7Hz	Microscopes

- Contoured shape ideal for working with microscopes
- Unique elastomer isolator removes up to 99 percent of vibrations
- Loads to 25kgs with 75kg load version option
- No rocking or wobble unlike other brands of platform
- One platform size suits majority of microscopes

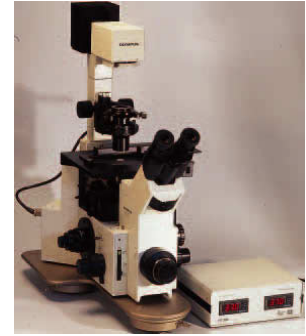
These platforms remove the unwanted vibrations which limit the performance of microscopes. Their T shaped profile allows users to place their arms on either side of the platform, while the rear section is wide enough to accommodate most makes of microscope.

Platforms are made from high grade steel parts welded together for rigidity and coated with a tough epoxy powder white finish. They are resistant to most forms of biological and chemical attack and isolators are simply removed making cleaning easy.

The platform top plate incorporates three elastomeric isolators which remove over 97 percent of horizontal vibrations at 50Hz and over 95 percent of vertical vibrations greatly improving instrument performance. These isolators are available in two load ranges, up to 25kgs and from 25 to 75kgs. Isolators are simply secured by a single thumbscrew and require no adjustments for varying loads.

Sorbothane elastomer isolators have outstanding damping performance compared to isolators that use springs, rubber or neoprene and so eliminate any rocking or wobble that is a major problem with other brands of platform. Sorbothane rapidly damps down disturbances to the microscope, such as when it is being touched during operation. It greatly improves image quality by protecting microscopes from both horizontal and vertical vibrations emanating from sources such as floors, walls and benching and caused by traffic, lifts, rotating machinery and numerous other sources.

AMC Series Platforms



AMF SERIES

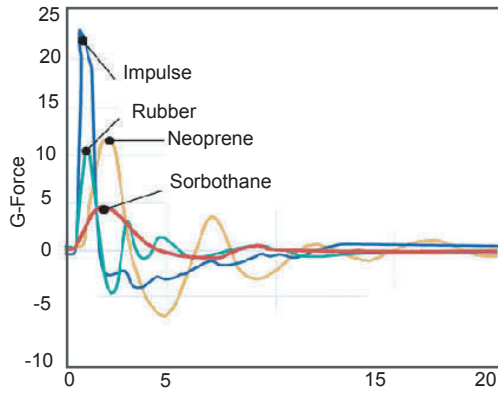
AMP SERIES

AMC SERIES

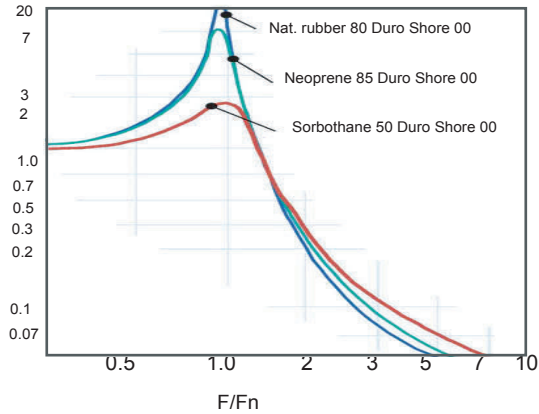
ACCESSORIES

# Product Details

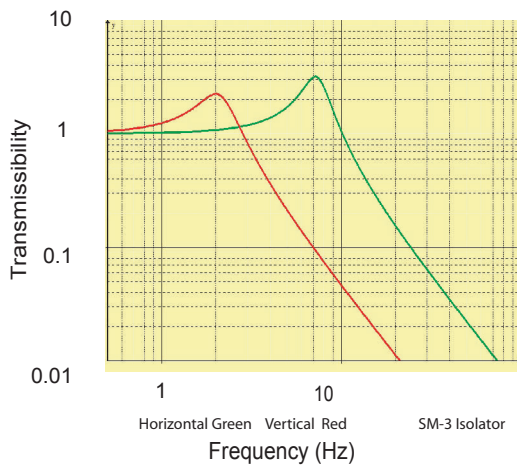
## Isolator performance



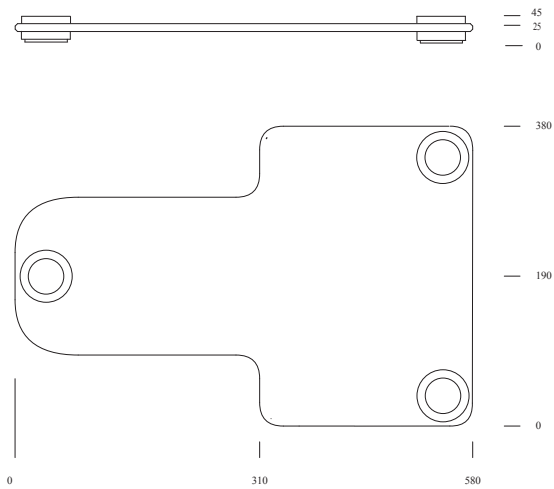
Time Delay Effect of Impulse Response



Ratio of Excitation Frequency to Natural Frequency



SM-3 Isolator



Dimensions mm's

## Specifications

Dimensions (LxWxH)	565x380x45 mm's
Load capacity	25kgs; 75kgs with Option L
Platform height	25 mm's
Isolators	3 off elastomeric
Isolation performance	
50Hz	97 percent horizontal;95 percent vertical
100Hz	99 percent horizontal;98 percent vertical
Natural frequency	2Hz horizontal; 7Hz vertical
Surface finish	White powder epoxy
Construction	Steel
Bacterial resistance	No growth
Fungal resistance	No growth
Heat aging	Stable
Working temperature	-20C to 160C
Weight	10Kgs